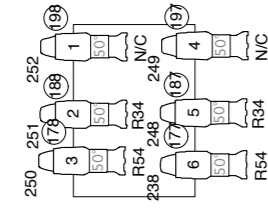
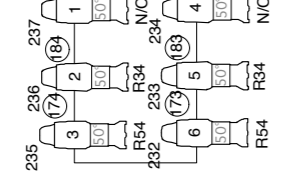


1st Electric

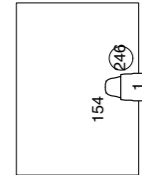
SR Side Bay 1



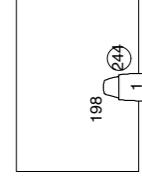
SR Side Bay 2



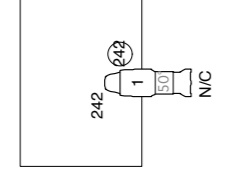
SR Side Bay 3



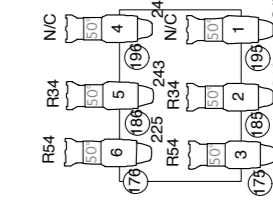
SR Side Bay 4



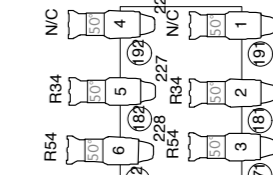
SR Side Bay 5



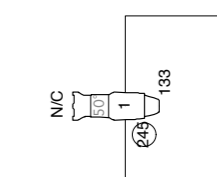
SL Side Bay 1



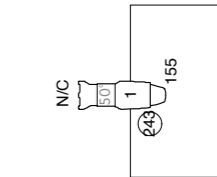
SL Side Bay 2



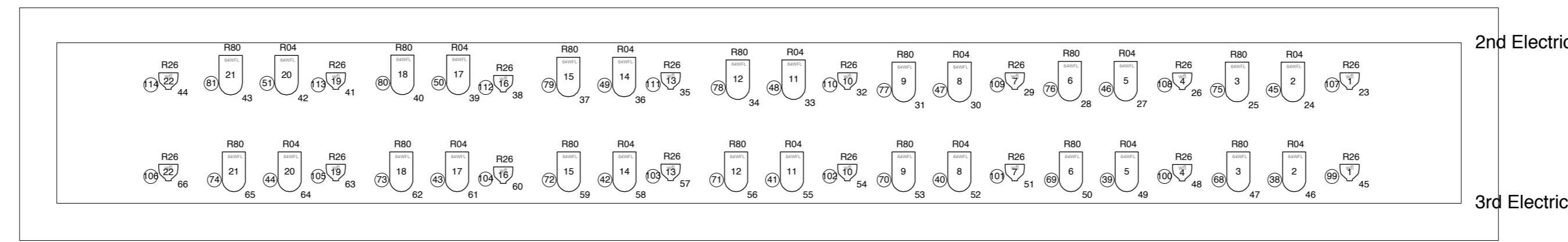
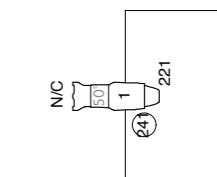
SL Side Bay 3



SL Side Bay 4

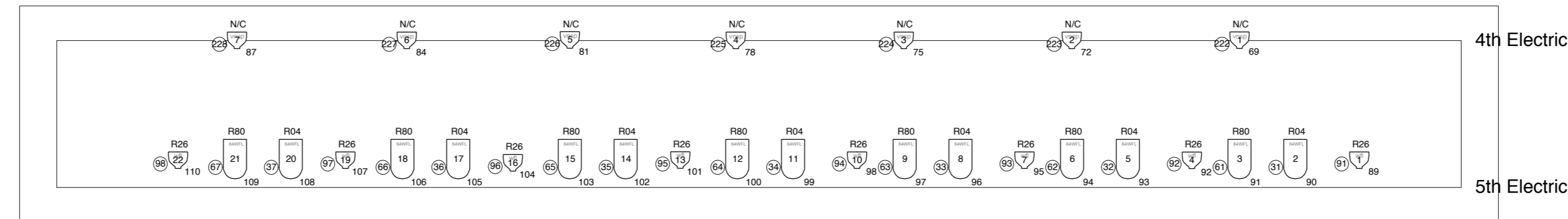


SL Side Bay 5



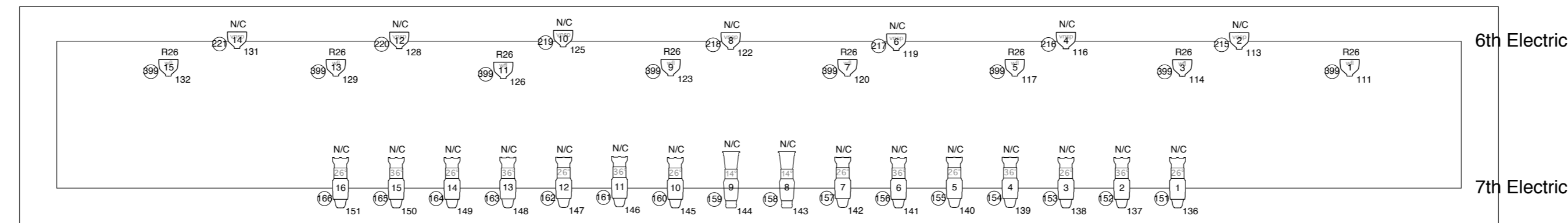
2nd Electric

3rd Electric



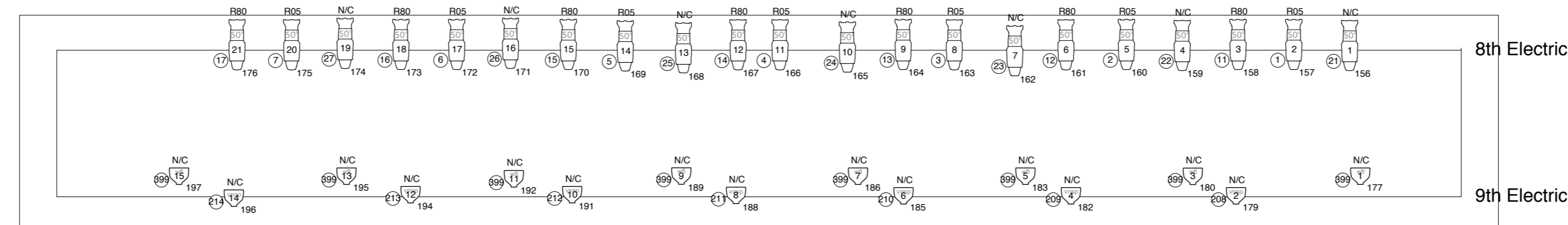
4th Electric

5th Electric



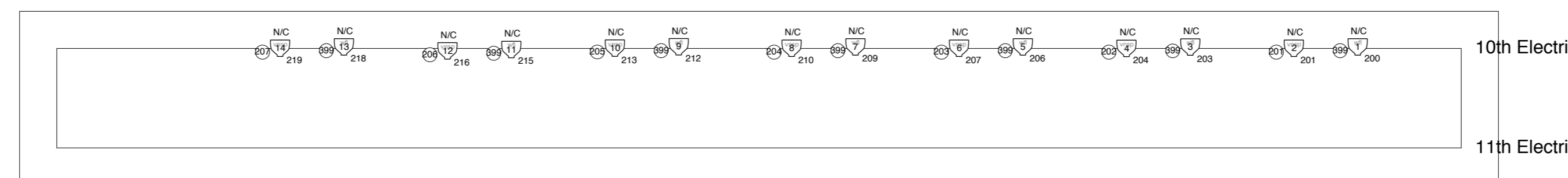
6th Electric

7th Electric



8th Electric

9th Electric



10th Electric

11th Electric

Control Booth

Notes:

Title Gregory Family Theater Repertory Plot		
Drawing Number No. 1	Drawn By Sean Ordway	Date 09/12/2012
CAD File Name Gregory Rep Plot.vwx		Scale 1/4" = 1'0"

Instruments	
	S4 PAR WFL
	PAR 64 WFL
	Source 4 50deg
	S4 PAR VNSP
	Source 4 14 Deg
	Source 4 28deg
	Source 4 36deg
Legend	
	Color
	Unit Number
	Channel
	Dimmer